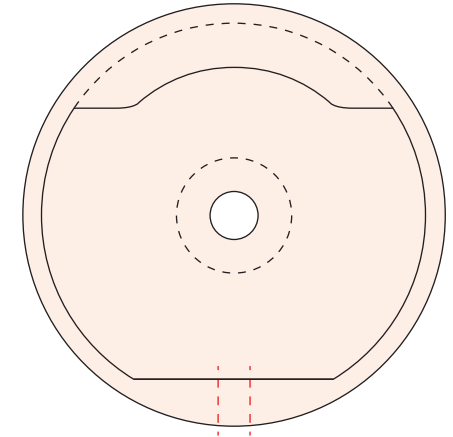
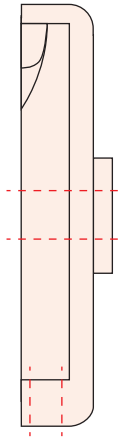
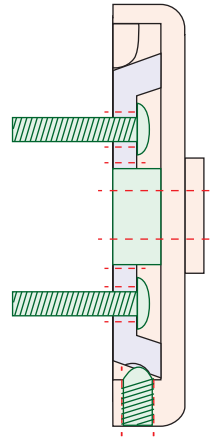
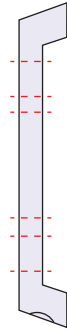
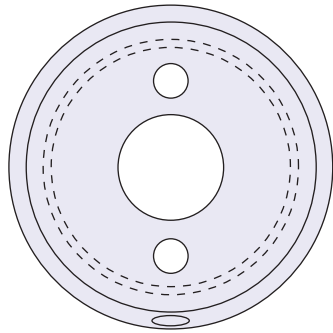
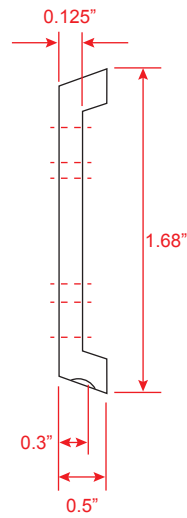
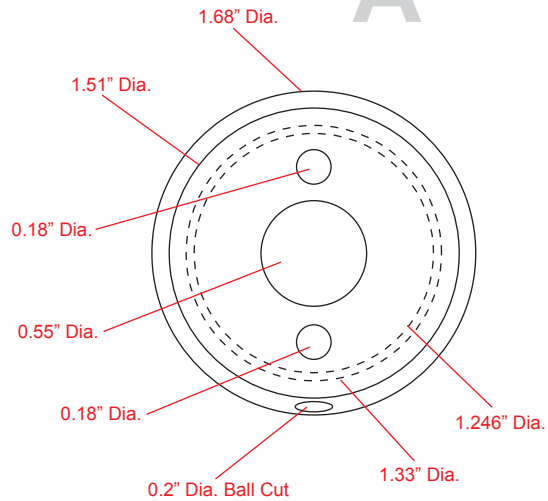




Two Piece
Bath Accessories Mount

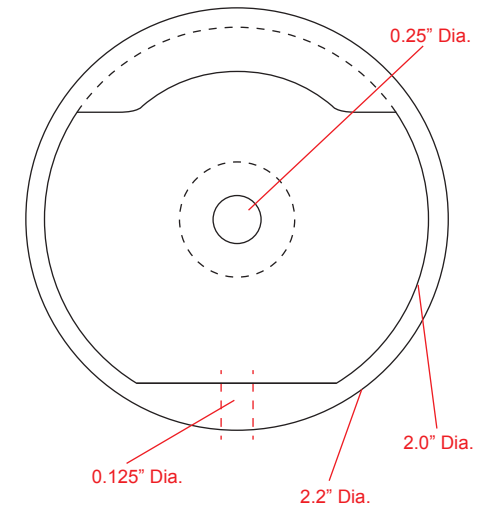
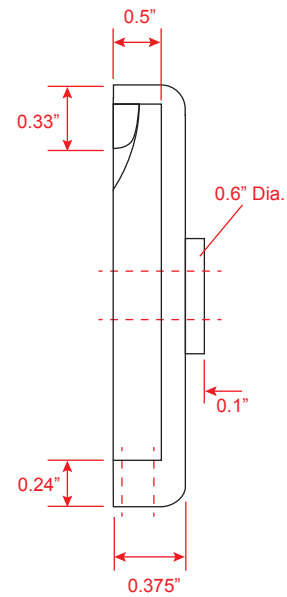


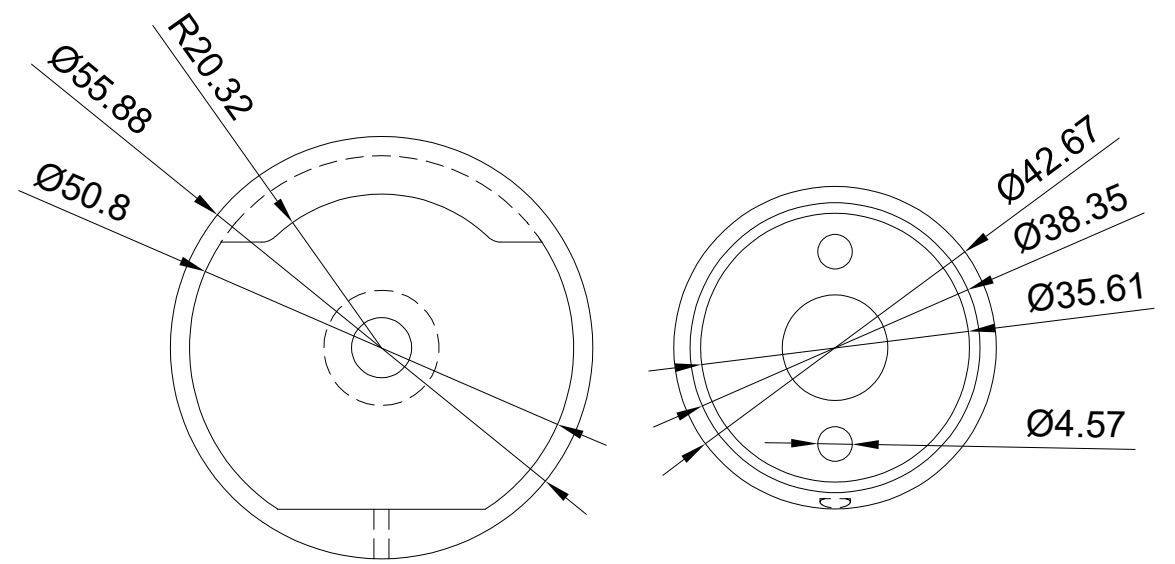
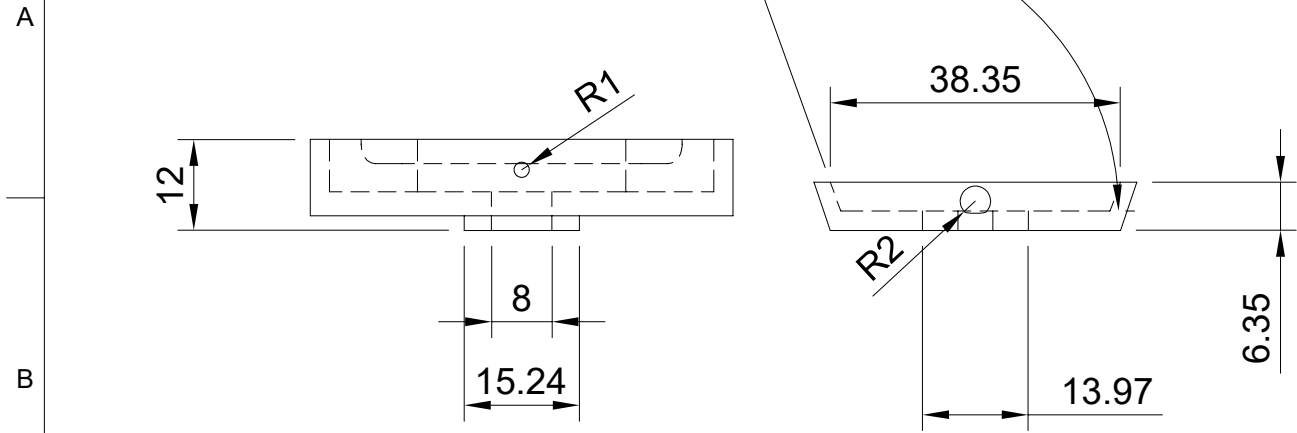
A



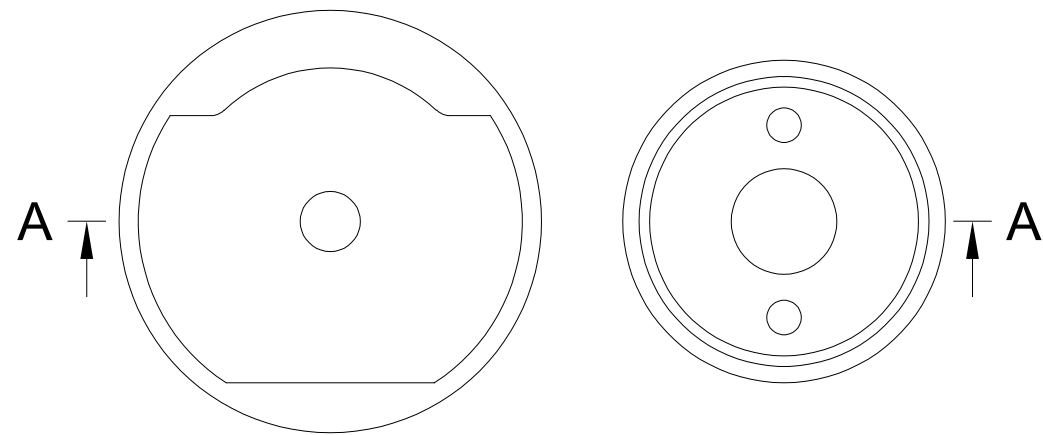
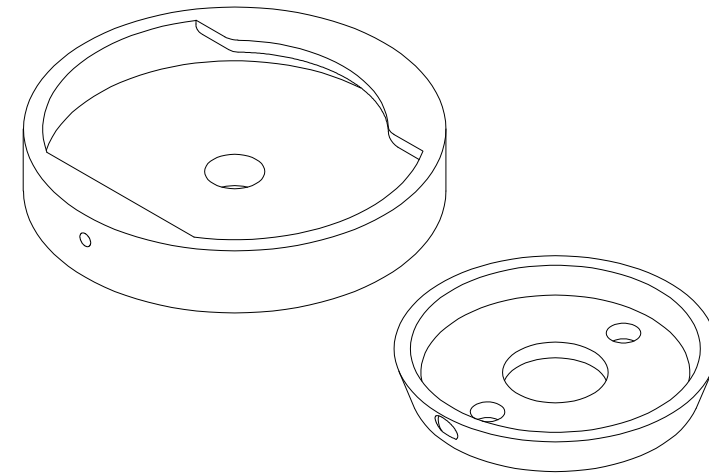
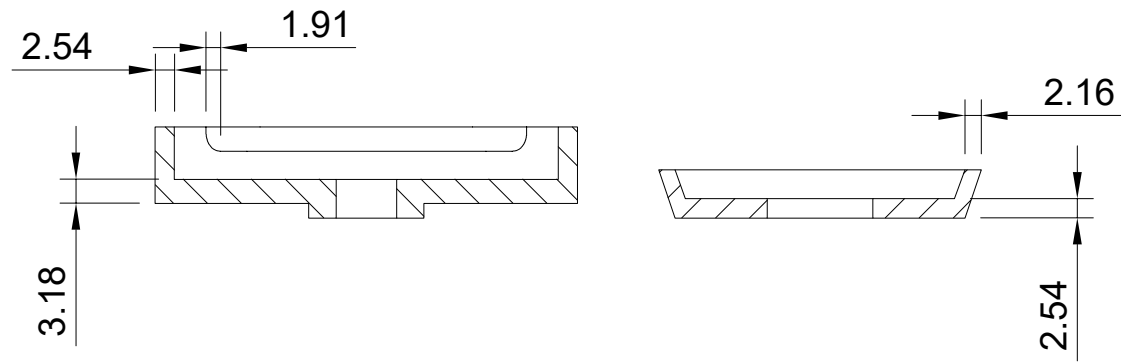
Two Pieces
Assembled

B





A-A (1:1)



Dept.	Technical reference	Created by Eric Castilla	4/4/2023	Approved by	
		Document type	Document status		
		Title Freelance CAD Ver. 2.0 (Part 1 and 2)	DWG No.		
		Rev.	Date of issue	Sheet 1/1	

A
B
C
D
E
F

A
B
C
D
E
F

1 2 3 4 5 6 7 8

